

# PARTS LIST

## CAUTION

- The parts identified by the  $\triangle$  symbol are important for the safety. Whenever replacing these parts, be sure to use specified ones to secure the safety .
- The parts not indicated in this Parts List and those which are filled with lines — in the Parts No. columns will not be supplied.
- P. W. Board Ass'y will not be supplied, but those which are filled with the Parts No. in the Parts No. columns will be supplied.

## ABBREVIATIONS OF RESISTORS, CAPACITORS AND TOLERANCES

RESISTORS		CAPACITORS	
C R	Carbon Resistor	C CAP.	Ceramic Capacitor
F R	Fusible Resistor	E CAP.	Electrolytic Capacitor
P R	Plate Resistor	M CAP.	Mylar Capacitor
V R	Variable Resistor	HV CAP.	High Voltage Capacitor
HV R	High Voltage Resistor	MF CAP.	Metalized Film Capacitor
MF R	Metal Film Resistor	MM CAP.	Metalized Mylar Capacitor
MG R	Metal Glazed Resistor	MP CAP.	Metalized Polystyrol Capacitor
MP R	Metal Plate Resistor	PP CAP.	Polypropylene Capacitor
OM R	Metal Oxide Film Resistor	PS CAP.	Polystyrol Capacitor
CMF R	Coating Metal Film Resistor	TF CAP.	Thin Film Capacitor
UNF R	Non-Flammable Resistor	MPP CAP.	Metalized Polypropylene Capacitor
CH V R	Chip Variable Resistor	TAN. CAP.	Tantalum Capacitor
CH MG R	Chip Metal Glazed Resistor	CH C CAP.	Chip Ceramic Capacitor
COMP. R	Composition Resistor	BP E CAP.	Bi-Polar Electrolytic Capacitor
LPTC R	Linear Positive Temperature Coefficient Resistor	CH AL E CAP.	Chip Aluminum Electrolytic Capacitor
		CH AL BP CAP.	Chip Aluminum Bi-Polar Capacitor
		CH TAN. E CAP.	Chip Tantalum Electrolytic Capacitor
		CH AL BP E CAP.	Chip Tantalum Bi-Polar Electrolytic Capacitor

TOLERANCES									
F	G	J	K	M	N	R	H	Z	P
±1%	±2%	±5%	±10%	±20%	±30%	+30% -10%	+50% -10%	+80% -20%	+100% -0%

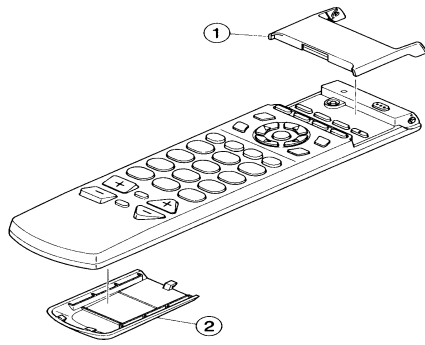
## CONTENTS

■ USING PW BOARD & REMOTE CONTROL UNIT .....	34
■ REMOTE CONTROL UNIT PARTS LIST .....	35
■ EXPLODED VIEW PARTS LIST ( I ) .....	35
■ EXPLODED VIEW ( I ) .....	35
■ EXPLODED VIEW PARTS LIST ( II ) .....	36
■ EXPLODED VIEW ( II ) .....	37
■ PRINTED WIRING BOARD PARTS LIST	
● MAIN PW BOARD ASS'Y .....	38
● POWER & DEF PW BOARD ASS' Y .....	41
● CRT SOCKET PW BOARD ASS'Y .....	43
● FRONT CONTROL PW BOARD ASS'Y .....	44
● AV SEL. PW BOARD ASS'Y .....	45
■ PACKING .....	47
■ PACKING PARTS LIST .....	47

## USING PW BOARD & REMOTE CONTROL UNIT

Model	AV-25PS
PWB ASS'Y	
MAIN PWB	SJK-1005A-H2
POWER & DEF PWB	SJK-2004A-H2
CRT SOCKET PWB	SJK-3002A-H2
FRONT CONTROL PWB	SJK-8003A-H2
AV SEL. PWB	SJK0S005A-H2
REMOTE CONTROL UNIT	RM-C112-1H

# REMOTE CONTROL UNIT PARTS LIST [ RM-C112-1H ]

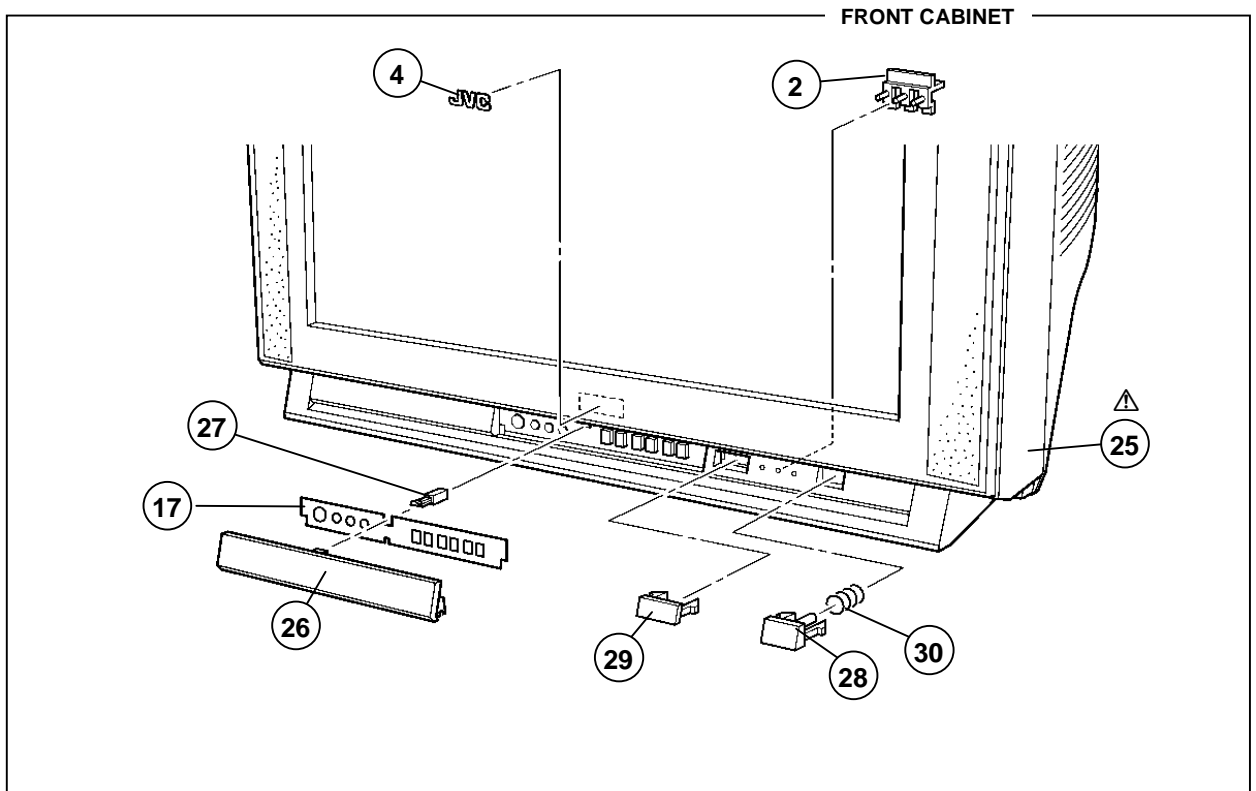


△	Ref.No.	Part No.	Part Name	Description
	1	UR52FT1265D	BATTERY COVER	
	2	UR52EC1264A	SLIDE COVER	

# EXPLODED VIEW PARTS LIST ( I )

△ Ref. No.	Part No.	Part Name	Description
2	LC30693-001A-H	L. E. D. LENS	
4	CM48125-009	JVC MARK	
17	LC30694-008A-H1	OPERATION SHEET	
△ 25	LC10475-012A-H	FRONT CABI ASS'Y	
26	LC20336-008A-H	DOOR	(SERVICE)
27	CM48229-00A-C	DOOR LATCH	
28	LC30302-014A	POWER KNOB	(SERVICE)
29	LC30303-001A-H	E. E. WINDOW	
30	CM35235-003-H	SPRING	

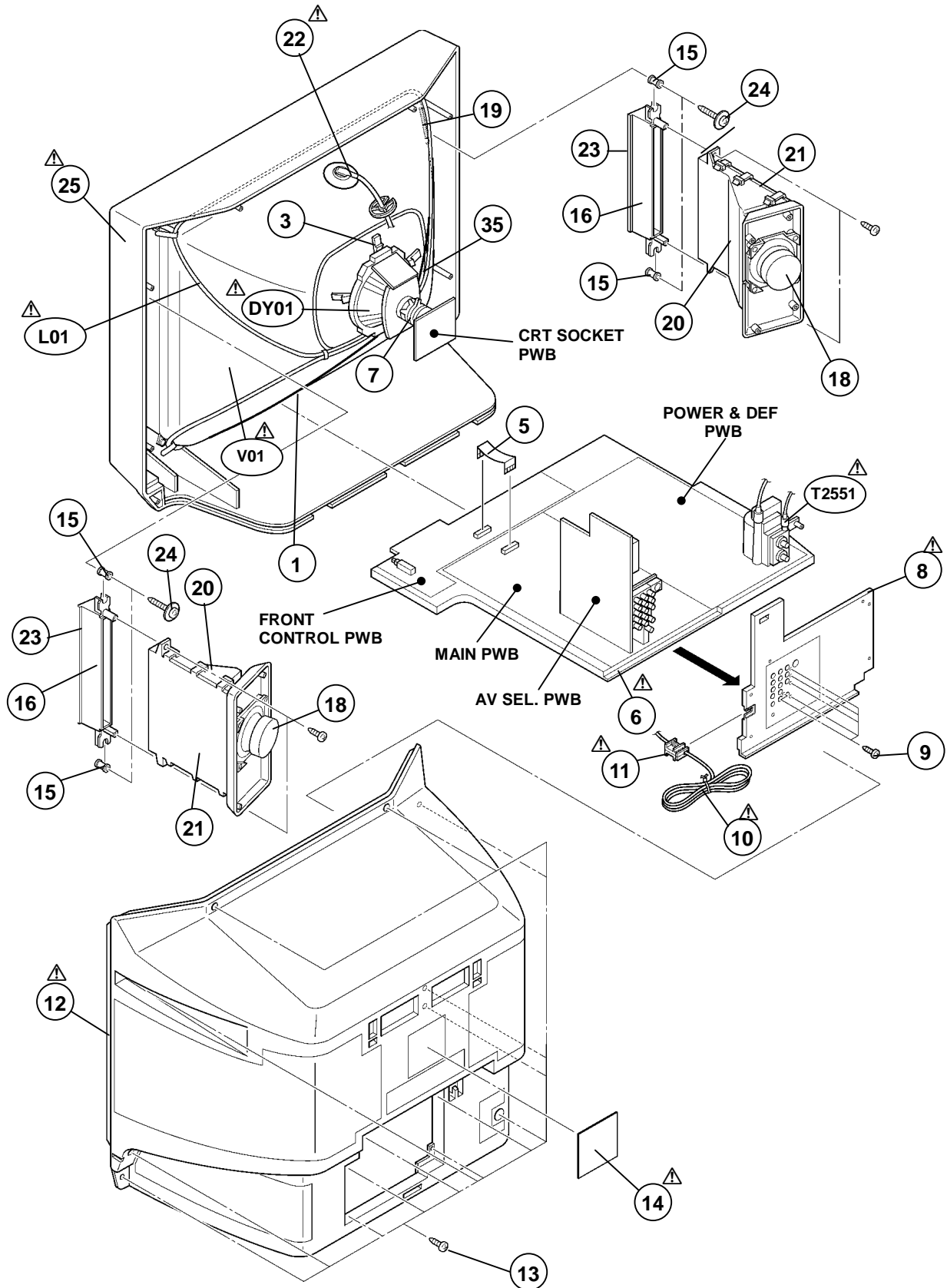
# EXPLODED VIEW ( I )



## EXPLODED VIEW PARTS LIST(II)

△ Ref. No.	Part No.	Part Name	Description
△ V01	A60LST196X	PICTURE TUBE (C)	
△ DY01	QQD0043-001	DEFLECTION YOKE	
△ L01	QQW0074-001	DEGAUSSING COIL	
△ T2551	QQH0075-001	HVT	Within POWER & DEF PWB
1	CHGB0020-AA	BRAIDED WIRE	
3	CE40764-00A	WEDGE ASSY	(×4)
5	CHFD125-06BD-N	FFC WIRE	
△ 6	LC10771-001B-H	CHASSIS BASE	
7	CE42388-00A	P. C. MAGNET	
△ 8	LC10773-001B-H	AV BOARD	
9	QYSBSF3012M	TAPPING SCREW	(×5) For AV BOARD
△ 10	QMP40D0-200J3	POWER CORD	
△ 11	CM23167-A01-H	CORD CLAMP	
△ 12	LC10477-003A-H	REAR COVER	
13	QYSBSFG4016Z	TAPPING SCREW	(×14)
△ 14	LC20377-001B-H	RATING LABEL	
15	LC40226-001A	SPACER	(×4)
16	LC10280-001A-H	ADAPTOR	(×2)
18	CEBSF10P-03KJ6	SPEAKER	(×2) SP01, SP02
19	A48457-3-H	SPRING	
20	LC10050-001A-H	HORN	(×2)
21	LC10051-001A-H	DOME COVER	(×2)
△ 22	QNZ0369-001	ANODE WIRE	
23	CM34837-048-H	STICK SHEET	(×2)
24	LC40317-002A-H	TAPPING SCREW	(×4)
△ 25	LC10475-012A-H	FRONT CABI ASS'Y	

# EXPLODED VIEW (II)



## PRINTED WIRING BOARD PARTS LIST

## MAIN PW BOARD ASS'Y (SJK-1005A-H2)

△ Symbol No.	Part No.	Part Name	Description
<b>RESISTOR</b>			
R1002-03	NRSA02J-0R0X	MG R	0.0Ω 1/10W J
R1005-06	NRSA02J-102X	MG R	1kΩ 1/10W J
R1007	NRSA02J-104X	MG R	100kΩ 1/10W J
R1010	NRSA02J-222X	MG R	2.2kΩ 1/10W J
R1011	NRSA02J-122X	MG R	1.2kΩ 1/10W J
R1012	NRSA02J-331X	MG R	330Ω 1/10W J
R1013	NRSA02J-270X	MG R	27Ω 1/10W J
R1014	NRSA02J-271X	MG R	270Ω 1/10W J
R1015	NRSA02J-102X	MG R	1kΩ 1/10W J
R1201	NRSA02J-104X	MG R	100kΩ 1/10W J
R1202	NRSA02J-473X	MG R	47kΩ 1/10W J
R1203	NRSA02J-184X	MG R	180kΩ 1/10W J
R1204	NRSA02J-224X	MG R	220kΩ 1/10W J
R1205	NRSA02J-563X	MG R	56kΩ 1/10W J
R1206	NRSA02J-682X	MG R	6.8kΩ 1/10W J
R1207	NRSA02J-333X	MG R	33kΩ 1/10W J
R1209-10	NRSA02J-221X	MG R	220Ω 1/10W J
R1251	NRSA02J-473X	MG R	47kΩ 1/10W J
R1252	NRSA02J-392X	MG R	3.9kΩ 1/10W J
R1253	NRSA02J-473X	MG R	47kΩ 1/10W J
R1254	NRSA02J-103X	MG R	10kΩ 1/10W J
R1255	NRSA02J-823X	MG R	82kΩ 1/10W J
R1256	NRSA02J-222X	MG R	2.2kΩ 1/10W J
R1257	NRSA02J-333X	MG R	33kΩ 1/10W J
R1258	NRSA02J-272X	MG R	2.7kΩ 1/10W J
R1259	NRSA02J-102X	MG R	1kΩ 1/10W J
R1260	NRSA02J-823X	MG R	82kΩ 1/10W J
R1261	NRSA02J-102X	MG R	1kΩ 1/10W J
R1262	NRSA02J-153X	MG R	15kΩ 1/10W J
R1263	NRSA02J-273X	MG R	27kΩ 1/10W J
R1264	NRSA02J-102X	MG R	1kΩ 1/10W J
R1265	NRSA02J-821X	MG R	820Ω 1/10W J
R1266	NRSA02J-223X	MG R	22kΩ 1/10W J
R1267-68	NRSA02J-101X	MG R	100Ω 1/10W J
R1269	NRSA02J-103X	MG R	10kΩ 1/10W J
R1270	NRSA02J-682X	MG R	6.8kΩ 1/10W J
R1271	NRSA02J-103X	MG R	10kΩ 1/10W J
R1301	NRSA02J-0R0X	MG R	0.0Ω 1/10W J
R1302	NRSA02J-123X	MG R	12kΩ 1/10W J
R1304	QRG01GJ-121	OM R	120Ω 1W J
R1305	NRSA02J-562X	MG R	5.6kΩ 1/10W J
R1306	NRSA02J-222X	MG R	2.2kΩ 1/10W J
R1307	NRSA02J-102X	MG R	1kΩ 1/10W J
R1308	NRSA02J-471X	MG R	470Ω 1/10W J
R1309	NRSA02J-222X	MG R	2.2kΩ 1/10W J
R1310-11	NRSA02J-391X	MG R	390Ω 1/10W J
R1314-15	NRSA02J-562X	MG R	5.6kΩ 1/10W J
R1316	NRSA02J-224X	MG R	220kΩ 1/10W J
R1318-20	NRSA02J-102X	MG R	1kΩ 1/10W J
R1321	NRSA02J-272X	MG R	2.7kΩ 1/10W J
R1326	NRSA02J-562X	MG R	5.6kΩ 1/10W J
R1327	NRSA02J-101X	MG R	100Ω 1/10W J
R1328-29	NRSA02J-102X	MG R	1kΩ 1/10W J
R1330	NRSA02J-472X	MG R	4.7kΩ 1/10W J
R1331	NRSA02J-101X	MG R	100Ω 1/10W J
R1334	NRSA02J-562X	MG R	5.6kΩ 1/10W J
R1335	NRSA02J-273X	MG R	27kΩ 1/10W J
R1336	NRSA02J-103X	MG R	10kΩ 1/10W J
R1337	NRSA02J-102X	MG R	1kΩ 1/10W J
R1338	NRSA02J-562X	MG R	5.6kΩ 1/10W J
R1339	NRSA02J-0R0X	MG R	0.0Ω 1/10W J
R1340	NRSA02J-561X	MG R	560Ω 1/10W J
R1341	NRSA02J-681X	MG R	680Ω 1/10W J
R1342	NRSA02J-222X	MG R	2.2kΩ 1/10W J
R1346	QRE141J-102Y	C R	1kΩ 1/4W J
R1351-53	NRSA02J-272X	MG R	2.7kΩ 1/10W J
R1354	NRSA02J-102X	MG R	1kΩ 1/10W J
R1355	NRSA02J-153X	MG R	15kΩ 1/10W J
R1356	NRSA02J-102X	MG R	1kΩ 1/10W J

△ Symbol No.	Part No.	Part Name	Description
<b>RESISTOR</b>			
R1357	NRSA02J-222X	MG R	2.2kΩ 1/10W J
R1358	NRSA02J-102X	MG R	1kΩ 1/10W J
R1359	NRSA02J-472X	MG R	4.7kΩ 1/10W J
R1360	NRSA02J-392X	MG R	3.9kΩ 1/10W J
R1361	NRSA02J-102X	MG R	1kΩ 1/10W J
R1362	NRSA02J-122X	MG R	1.2kΩ 1/10W J
R1363-65	NRSA02J-123X	MG R	12kΩ 1/10W J
R1366	NRSA02J-392X	MG R	3.9kΩ 1/10W J
R1367-68	NRSA02J-102X	MG R	1kΩ 1/10W J
R1369-71	NRSA02J-101X	MG R	100Ω 1/10W J
R1401-02	NRSA02J-103X	MG R	10kΩ 1/10W J
R1403	NRSA02J-102X	MG R	1kΩ 1/10W J
R1404	NRSA02J-183X	MG R	18kΩ 1/10W J
R1405	NRSA02J-223X	MG R	22kΩ 1/10W J
R1411	NRVA02D-473X	MF R	47kΩ 1/10W D
R1413	NRVA02D-223X	MF R	22kΩ 1/10W D
R1414	NRVA02D-101X	MF R	100Ω 1/10W D
R1416	NRSA02J-101X	MG R	100Ω 1/10W J
R1417	NRSA02J-562X	MG R	5.6kΩ 1/10W J
R1418	NRSA02J-682X	MG R	6.8kΩ 1/10W J
R1420	NRSA02J-752X	MG R	7.5kΩ 1/10W J
R1421	NRSA02J-103X	MG R	10kΩ 1/10W J
R1501	NRSA02J-621X	MG R	620Ω 1/10W J
R1502	NRSA02J-103X	MG R	10kΩ 1/10W J
R1503	NRSA02J-104X	MG R	100kΩ 1/10W J
R1504	NRSA02J-822X	MG R	8.2kΩ 1/10W J
R1505-06	NRSA02J-221X	MG R	220Ω 1/10W J
R1507	NRSA02J-102X	MG R	1kΩ 1/10W J
R1516	NRSA02J-222X	MG R	2.2kΩ 1/10W J
R1517	NRSA02J-472X	MG R	4.7kΩ 1/10W J
R1518	NRSA02J-102X	MG R	1kΩ 1/10W J
R1519	NRSA02J-562X	MG R	5.6kΩ 1/10W J
R1520	NRSA02J-152X	MG R	1.5kΩ 1/10W J
R1522	NRSA02J-153X	MG R	15kΩ 1/10W J
R1523	NRSA02J-103X	MG R	10kΩ 1/10W J
R1524	NRSA02J-152X	MG R	1.5kΩ 1/10W J
R1551	QRK126J-100X	C R	10Ω 1/2W J
R1552	NRSA02J-124X	MG R	120kΩ 1/10W J
R1553	NRSA02J-683X	MG R	68kΩ 1/10W J
R1554	NRSA02J-333X	MG R	33kΩ 1/10W J
R1555	NRSA02J-472X	MG R	4.7kΩ 1/10W J
R1556	NRSA02J-154X	MG R	150kΩ 1/10W J
R1557-58	NRSA02J-562X	MG R	5.6kΩ 1/10W J
R1559	NRSA02J-0R0X	MG R	0.0Ω 1/10W J
R1560	NRSA02J-104X	MG R	100kΩ 1/10W J
R1561	QRK126J-100X	C R	10Ω 1/2W J
R1571	NRSA02J-101X	MG R	100Ω 1/10W J
R1572	NRSA02J-133X	MG R	13kΩ 1/10W J
R1573	NRSA02J-821X	MG R	820Ω 1/10W J
R1608-09	NRSA02J-392X	MG R	3.9kΩ 1/10W J
R1610-11	NRSA02J-104X	MG R	100kΩ 1/10W J
R1612	NRSA02J-101X	MG R	100Ω 1/10W J
R1613	NRSA02J-0R0X	MG R	0.0Ω 1/10W J
R1614	NRSA02J-101X	MG R	100Ω 1/10W J
R1615	NRSA02J-0R0X	MG R	0.0Ω 1/10W J
R1616	NRSA02J-563X	MG R	56kΩ 1/10W J
R1617	NRSA02J-472X	MG R	4.7kΩ 1/10W J
R1618	NRSA02J-103X	MG R	10kΩ 1/10W J
R1619	NRSA02J-183X	MG R	18kΩ 1/10W J
R1620	NRSA02J-103X	MG R	10kΩ 1/10W J
R1621	NRSA02J-183X	MG R	18kΩ 1/10W J
R1622	NRSA02J-122X	MG R	1.2kΩ 1/10W J
R1623	NRSA02J-472X	MG R	4.7kΩ 1/10W J
R1624	NRSA02J-563X	MG R	56kΩ 1/10W J
R1646	NRSA02J-473X	MG R	47kΩ 1/10W J
R1647	NRSA02J-273X	MG R	27kΩ 1/10W J
R1648	NRSA02J-104X	MG R	100kΩ 1/10W J
R1649	NRSA02J-682X	MG R	6.8kΩ 1/10W J
R1650	NRSA02J-104X	MG R	100kΩ 1/10W J

△ Symbol No. Part No. Part Name Description

**RESISTOR**

R1657	NRSA02J-0R0X	MG R	0.0Ω 1/10W J
R1660	QRK126J-2R2X	C R	2.2Ω 1/2W J
R1661	NRSA02J-103X	MG R	10kΩ 1/10W J
R1663	NRSA02J-822X	MG R	8.2kΩ 1/10W J
R1664	NRSA02J-562X	MG R	5.6kΩ 1/10W J
R1683	QRK126J-2R2X	C R	2.2Ω 1/2W J
R1684-85	NRSA02J-101X	MG R	100Ω 1/10W J
R1689	NRSA02J-473X	MG R	47kΩ 1/10W J
R1690	NRSA02J-105X	MG R	1MΩ 1/10W J
R1691	NRSA02J-154X	MG R	150kΩ 1/10W J
R1692	NRSA02J-822X	MG R	8.2kΩ 1/10W J
R1693	NRSA02J-182X	MG R	1.8kΩ 1/10W J
R1694	NRSA02J-562X	MG R	5.6kΩ 1/10W J
R1695	NRSA02J-102X	MG R	1kΩ 1/10W J
R1696	NRSA02J-562X	MG R	5.6kΩ 1/10W J
R1697	NRSA02J-102X	MG R	1kΩ 1/10W J
R1698-99	NRSA02J-562X	MG R	5.6kΩ 1/10W J
R1716	NRSA02J-102X	MG R	1kΩ 1/10W J
R1718-19	NRSA02J-682X	MG R	6.8kΩ 1/10W J
R1722	NRSA02J-472X	MG R	4.7kΩ 1/10W J
R1724-25	NRSA02J-472X	MG R	4.7kΩ 1/10W J
R1727	NRSA02J-472X	MG R	4.7kΩ 1/10W J
R1729-31	NRSA02J-221X	MG R	220Ω 1/10W J
R1732	NRSA02J-562X	MG R	5.6kΩ 1/10W J
R1733	NRSA02J-103X	MG R	10kΩ 1/10W J
R1734	NRSA02J-223X	MG R	22kΩ 1/10W J
R1735	NRSA02J-102X	MG R	1kΩ 1/10W J
R1736-37	NRSA02J-103X	MG R	10kΩ 1/10W J
R1739	NRSA02J-103X	MG R	10kΩ 1/10W J
R1740	NRSA02J-331X	MG R	330Ω 1/10W J
R1741-42	NRSA02J-102X	MG R	1kΩ 1/10W J
R1743-44	NRSA02J-101X	MG R	100Ω 1/10W J
R1745	NRSA02J-472X	MG R	4.7kΩ 1/10W J
R1747	NRSA02J-472X	MG R	4.7kΩ 1/10W J
R1748-52	NRSA02J-221X	MG R	220Ω 1/10W J
R1754	NRSA02J-683X	MG R	68kΩ 1/10W J
R1756	NRSA02J-103X	MG R	10kΩ 1/10W J
R1757	NRSA02J-393X	MG R	39kΩ 1/10W J
R1759	NRSA02J-472X	MG R	4.7kΩ 1/10W J
R1760-63	NRSA02J-103X	MG R	10kΩ 1/10W J
R1764-66	NRSA02J-221X	MG R	220Ω 1/10W J
R1767	NRSA02J-103X	MG R	10kΩ 1/10W J
R1768	NRSA02J-473X	MG R	47kΩ 1/10W J
R1769	NRSA02J-823X	MG R	82kΩ 1/10W J
R1770-73	NRSA02J-222X	MG R	2.2kΩ 1/10W J
R1774	NRSA02J-103X	MG R	10kΩ 1/10W J
R1775	NRSA02J-223X	MG R	22kΩ 1/10W J
R1776	NRSA02J-272X	MG R	2.7kΩ 1/10W J
R1777-79	NRSA02J-222X	MG R	2.2kΩ 1/10W J
R1780	NRSA02J-102X	MG R	1kΩ 1/10W J
R1784	NRSA02J-473X	MG R	47kΩ 1/10W J
R1785	NRSA02J-223X	MG R	22kΩ 1/10W J
R1786	NRSA02J-473X	MG R	47kΩ 1/10W J
R1787	NRSA02J-332X	MG R	3.3kΩ 1/10W J
R1788	NRSA02J-272X	MG R	2.7kΩ 1/10W J
R1789	NRSA02J-473X	MG R	47kΩ 1/10W J
R1790	NRSA02J-682X	MG R	6.8kΩ 1/10W J
R1791	NRSA02J-183X	MG R	18kΩ 1/10W J
R1792	NRSA02J-103X	MG R	10kΩ 1/10W J
R1793	NRSA02J-821X	MG R	820Ω 1/10W J
R1794	NRSA02J-103X	MG R	10kΩ 1/10W J
R1795	NRSA02J-184X	MG R	180kΩ 1/10W J
R1796	NRSA02J-104X	MG R	100kΩ 1/10W J
R1797-98	NRSA02J-102X	MG R	1kΩ 1/10W J
R1802	NRSA02J-472X	MG R	4.7kΩ 1/10W J
R1803-04	NRSA02J-473X	MG R	47kΩ 1/10W J
R1805	NRSA02J-102X	MG R	1kΩ 1/10W J
R1806	NRSA02J-103X	MG R	10kΩ 1/10W J
R1807	NRSA02J-102X	MG R	1kΩ 1/10W J
R1871	NRSA02J-102X	MG R	1kΩ 1/10W J

△ Symbol No. Part No. Part Name Description

**RESISTOR**

R1872-73	NRSA02J-222X	MG R	2.2kΩ 1/10W J
R1874	NRSA02J-272X	MG R	2.7kΩ 1/10W J
R1875	NRSA02J-0R0X	MG R	0.0Ω 1/10W J
R1876	NRSA02J-102X	MG R	1kΩ 1/10W J
R1877	NRSA02J-393X	MG R	39kΩ 1/10W J
R1878-80	NRSA02J-182X	MG R	1.8kΩ 1/10W J
R1881-82	NRSA02J-181X	MG R	180Ω 1/10W J
R1883	NRSA02J-102X	MG R	1kΩ 1/10W J
R1884	NRSA02J-181X	MG R	180Ω 1/10W J
R1906	NRSA02J-222X	MG R	2.2kΩ 1/10W J
R1910	NRSA02J-333X	MG R	33kΩ 1/10W J
R1911	NRSA02J-103X	MG R	10kΩ 1/10W J
R1912	NRSA02J-683X	MG R	68kΩ 1/10W J
R1913	NRSA02J-103X	MG R	10kΩ 1/10W J

**CAPACITOR**

C1001	NCB21HK-222X	C CAP.	2200pF 50V K
C1002	QETN1CM-107Z	E CAP.	100μF 16V M
C1003	NCB21EK-104X	C CAP.	0.1μF 25V K
C1004	QETN1CM-108Z	E CAP.	1000μF 16V M
C1005	QETN1CM-107Z	E CAP.	100μF 16V M
C1006	QETN1HM-106Z	E CAP.	10μF 50V M
C1007	NCB21EK-104X	C CAP.	0.1μF 25V K
C1008	QETN1HM-106Z	E CAP.	10μF 50V M
C1009	NCB21EK-104X	C CAP.	0.1μF 25V K
C1012-13	NCB21HK-472X	C CAP.	4700pF 50V K
C1201	NCB21EK-104X	C CAP.	0.1μF 25V K
C1202	QETN1HM-105Z	E CAP.	1μF 50V M
C1203	QETN1HM-106Z	E CAP.	10μF 50V M
C1204	NDC21HJ-101X	C CAP.	100pF 50V J
C1205	QETN1HM-106Z	E CAP.	10μF 50V M
C1206	NCB21EK-104X	C CAP.	0.1μF 25V K
C1207	NCB21HK-103X	C CAP.	0.01μF 50V K
C1208	QETN1CM-107Z	E CAP.	100μF 16V M
C1209	NCB21HK-103X	C CAP.	0.01μF 50V K
C1210	NDC21HJ-390X	C CAP.	39pF 50V J
C1251	NCB21HK-103X	C CAP.	0.01μF 50V K
C1252-53	NCB21EK-104X	C CAP.	0.1μF 25V K
C1254-55	NCB21HK-103X	C CAP.	0.01μF 50V K
C1256	QETN1HM-476Z	E CAP.	47μF 50V M
C1257	NCB21HK-103X	C CAP.	0.01μF 50V K
C1258-60	NCB21EK-104X	C CAP.	0.1μF 25V K
C1261-62	QETN1HM-106Z	E CAP.	10μF 50V M
C1301	NCB21EK-104X	C CAP.	0.1μF 25V K
C1302	NCB21HK-823X	CHIP CAP.	0.082μF 50V K
C1303	QETN1EM-476Z	E CAP.	47μF 25V M
C1304	NCB21HK-103X	C CAP.	0.01μF 50V K
C1305	QETN1CM-107Z	E CAP.	100μF 16V M
C1306	NCB21HK-103X	C CAP.	0.01μF 50V K
C1307	QETN1CM-477Z	E CAP.	470μF 16V M
C1308	NDC21HJ-120X	C CAP.	12pF 50V J
C1309	QETN1HM-475Z	E CAP.	4.7μF 50V M
C1310	NCB21HK-103X	C CAP.	0.01μF 50V K
C1311	QETN1HM-106Z	E CAP.	10μF 50V M
C1313	QETN1AM-228Z	E CAP.	2200μF 10V M
C1314	NCB21HK-103X	C CAP.	0.01μF 50V K
C1315	QETN1HM-226Z	E CAP.	22μF 50V M
C1317-18	NDC21HJ-101X	C CAP.	100pF 50V J
C1319	QETN1CM-107Z	E CAP.	100μF 16V M
C1320	NCB21HK-103X	C CAP.	0.01μF 50V K
C1321-23	NCB21EK-104X	C CAP.	0.1μF 25V K
C1324-26	QETN1HM-105Z	E CAP.	1μF 50V M
C1327	QETN1HM-475Z	E CAP.	4.7μF 50V M
C1331	QETN1HM-105Z	E CAP.	1μF 50V M
C1332	NCB21HK-103X	C CAP.	0.01μF 50V K
C1333	NCB21EK-104X	C CAP.	0.1μF 25V K
C1351	NDC21HJ-390X	C CAP.	39pF 50V J
C1401	QETN1HM-105Z	E CAP.	1μF 50V M
C1403	NCB21HK-103X	C CAP.	0.01μF 50V K
C1405	NCB21HK-103X	C CAP.	0.01μF 50V K

△ Symbol No.	Part No.	Part Name	Description
<b>CAPACITOR</b>			
C1406	QFV71HJ-184Z	MF CAP.	0.18μF 50V J
C1407	QFV71HJ-684Z	MF CAP.	0.68μF 50V J
C1408	NCB21HK-223X	C CAP.	0.022μF 50V K
C1409	NCB21HK-183X	C CAP.	0.018μF 50V K
C1501	QETN1AM-228Z	E CAP.	2200μF 10V M
C1502-04	NCB21HK-103X	C CAP.	0.01μF 50V K
C1505	NCB21HK-822X	C CAP.	8200pF 50V K
C1506	QETN1HM-105Z	E CAP.	1μF 50V M
C1507	NCB21HK-103X	C CAP.	0.01μF 50V K
C1508	QETN1CM-108Z	E CAP.	1000μF 16V M
C1509	NCB21HK-823X	CHIP CAP.	0.082μF 50V K
C1510	NCB21HK-103X	C CAP.	0.01μF 50V K
C1512	QTMN1HM-105Z	E CAP.	0.1μF 50V M
C1513	QETN1CM-228	E CAP.	2200μF 16V M
C1514	NCB21HK-103X	C CAP.	0.01μF 50V K
C1515	QFV71HJ-394Z	MF CAP.	0.39μF 50V J
C1516	NCB21HK-103X	C CAP.	0.01μF 50V K
C1517	QETN1CM-107Z	E CAP.	100μF 16V M
C1518	NCB21EK-104X	C CAP.	0.1μF 25V K
C1551-52	NCB21EK-224X	CHIP CAP.	0.22μF 25V K
C1553	QETN1EM-476Z	E CAP.	47μF 25V M
C1554-55	NCB21EK-224X	CHIP CAP.	0.22μF 25V K
C1571	NCB21HK-103X	C CAP.	0.01μF 50V K
C1602	QETN1HM-107Z	E CAP.	100μF 50V M
C1608	NCF21CZ-105X	C CAP.	1μF 16V Z
C1610	NCF21CZ-105X	C CAP.	1μF 16V Z
C1612	NDC21HJ-470X	C CAP.	47pF 50V J
C1614	NCF21CZ-105X	C CAP.	1μF 16V Z
C1615	NDC21HJ-470X	C CAP.	47pF 50V J
C1617	NCF21CZ-105X	C CAP.	1μF 16V Z
C1618	QETN1HM-106Z	E CAP.	10μF 50V M
C1619-20	NCB21EK-104X	C CAP.	0.1μF 25V K
C1623-24	QETN1CM-227Z	E CAP.	220μF 16V M
C1625	QETN1HM-474Z	E CAP.	0.47μF 50V M
C1635	QETN1HM-474Z	E CAP.	0.47μF 50V M
C1638-39	NCF21HZ-224X	C CAP.	0.22μF 50V Z
C1640	QETN1HM-106Z	E CAP.	10μF 50V M
C1653	NCF21HZ-224X	C CAP.	0.22μF 50V Z
C1655	NCF21HZ-224X	C CAP.	0.22μF 50V Z
C1656	QETN1HM-228	E CAP.	2200μF 50V M
C1661-62	QETN1VM-228	E CAP.	2200μF 35V M
C1668	NCB21EK-104X	C CAP.	0.1μF 25V K
C1671	QENC1CM-226Z	BP E CAP.	22μF 16V M
C1672	QETN1AM-107Z	E CAP.	100μF 10V M
C1673	NCB21HK-563X	CHIP CAP.	0.056μF 50V K
C1674	NCB21HK-393X	C CAP.	0.039μF 50V K
C1675-76	QETN1HM-106Z	E CAP.	10μF 50V M
C1677	QETN1CM-107Z	E CAP.	100μF 16V M
C1678	QENC1CM-226Z	BP E CAP.	22μF 16V M
C1679	QETN1HM-105Z	E CAP.	1μF 50V M
C1680	NCB21HK-273X	C CAP.	0.027μF 50V K
C1681	NCB21HK-103X	C CAP.	0.01μF 50V K
C1682	QENC1CM-226Z	BP E CAP.	22μF 16V M
C1683	QETN1HM-226Z	E CAP.	22μF 50V M
C1684	QETN1CM-227Z	E CAP.	220μF 16V M
C1685-86	NCB21HK-272X	C CAP.	2700pF 50V K
C1687	NCF21CZ-105X	C CAP.	1μF 16V Z
C1688-89	NCB21EK-104X	C CAP.	0.1μF 25V K
C1690	NCF21CZ-105X	C CAP.	1μF 16V Z
C1691-94	NCB21EK-104X	C CAP.	0.1μF 25V K
C1696-97	QETN1HM-106Z	E CAP.	10μF 50V M
C1703	QETN1EM-476Z	E CAP.	47μF 25V M
C1704	NCB21EK-104X	C CAP.	0.1μF 25V K
C1705	QETN1AM-107Z	E CAP.	100μF 10V M
C1706	NCB21EK-104X	C CAP.	0.1μF 25V K
C1707	QETN1HM-474Z	E CAP.	0.47μF 50V M
C1708	QETN1EM-476Z	E CAP.	47μF 25V M
C1709-10	NDC21HJ-9R0X	C CAP.	9.0pF 50V J
C1711	NCB21EK-104X	C CAP.	0.1μF 25V K
C1712	NDC21HJ-151X	C CAP.	150pF 50V J

△ Symbol No.	Part No.	Part Name	Description
<b>CAPACITOR</b>			
C1713	QETN1HM-105Z	E CAP.	1μF 50V M
C1714	NDC21HJ-561X	C CAP.	560pF 50V J
C1715	QETN1HM-105Z	E CAP.	1μF 50V M
C1717	QETN1HM-105Z	E CAP.	1μF 50V M
C1718	NCB21HK-333X	C CAP.	0.033μF 50V K
C1719	NCB21EK-104X	C CAP.	0.1μF 25V K
C1723	NCB21HK-102X	C CAP.	1000pF 50V K
C1724	QETN1HM-106Z	E CAP.	10μF 50V M
C1725	NCB21HK-102X	C CAP.	1000pF 50V K
C1871	NCB21EK-104X	C CAP.	0.1μF 25V K
C1872	NCB21HK-223X	C CAP.	0.022μF 50V K
C1873	NDC21HJ-221X	C CAP.	220pF 50V J
C1874-75	NDC21HJ-150X	C CAP.	15pF 50V J
C1876	NDC21HJ-221X	C CAP.	220pF 50V J
C1877	NCB21EK-104X	C CAP.	0.1μF 25V K
C1878	NCB21HK-102X	C CAP.	1000pF 50V K
C1879	NDC21HJ-221X	C CAP.	220pF 50V J
C1880	QETN1AM-477Z	E CAP.	470μF 10V M
C1881	NCB21EK-104X	C CAP.	0.1μF 25V K
C1882	QETN1EM-476Z	E CAP.	47μF 25V M
C1883	NCB21HK-103X	C CAP.	0.01μF 50V K
C1884-85	NCB21EK-104X	C CAP.	0.1μF 25V K
C1886	NCB21HK-103X	C CAP.	0.01μF 50V K

**COIL**

L1001	QQL244K-5R6Z	PEAKING COIL	5.6μH
L1002	QQL244K-270Z	PEAKING COIL	27μH
L1201	QQL244K-330Z	PEAKING COIL	33μH
L1301-02	QQL244K-4R7Z	PEAKING COIL	4.7μH
L1303-04	QQL244K-470Z	PEAKING COIL	47μH
L1305	QQL244K-4R7Z	PEAKING COIL	4.7μH
L1307	CE41433-001Z	BEADS CORE	
L1501	QQL244J-151Z	PEAKING COIL	150μH
L1701	QQL244K-4R7Z	PEAKING COIL	4.7μH
L1702	QQL244K-3R9Z	PEAKING COIL	3.9μH
L1871	QQL244K-4R7Z	PEAKING COIL	4.7μH
L1872	QQL244K-3R3Z	PEAKING COIL	3.3μH

**DIODE**

D1301	MA3051/M/-X	ZENER DIODE	
D1302-03	MA111-X	SI DIODE	
D1331-33	MA3047/H/-X	ZENER DIODE	
D1334-36	MA111-X	SI DIODE	
D1351-53	MA111-X	SI DIODE	
D1402	MA111-X	SI DIODE	
D1503	RB100A-T2	SI DIODE	
D1601	MA3062-X	ZENER DIODE	
D1602	MA111-X	SI DIODE	
D1608-10	MA111-X	SI DIODE	
D1612	MA111-X	SI DIODE	
D1617-18	MA3330/L/-X	ZENER DIODE	
D1624-25	MA111-X	SI DIODE	
D1704	MA111-X	SI DIODE	
D1706	MA111-X	SI DIODE	

**TRANSISTOR**

Q1001-02	25C2412K/QR/-X	SI TRANSISTOR	
Q1201	25C2412K/QR/-X	SI TRANSISTOR	
Q1251-52	25C2412K/QR/-X	SI TRANSISTOR	
Q1253-54	25A1037AK/QR/-X	SI TRANSISTOR	
Q1255-56	DTC124EKA-X	DIGI. TRANSISTOR	
Q1301-03	25A1037AK/QR/-X	SI TRANSISTOR	
Q1306-07	25A1037AK/QR/-X	SI TRANSISTOR	
Q1309	25C2412K/QR/-X	SI TRANSISTOR	
Q1310	25A1037AK/QR/-X	SI TRANSISTOR	
Q1341	25A1037AK/QR/-X	SI TRANSISTOR	
Q1351-54	25C2412K/QR/-X	SI TRANSISTOR	
Q1355	25A1037AK/QR/-X	SI TRANSISTOR	
Q1501-03	25C2412K/QR/-X	SI TRANSISTOR	
Q1604	25A1037AK/QR/-X	SI TRANSISTOR	



**POWER & DEF PW BOARD ASS'Y (SJK-2004A-H2)**

△ Symbol No. Part No. Part Name Description

**TRANSISTOR**

Q1609	2SA1037AK/QR/-X	SI. TRANSISTOR
Q1610	DTC323TK-X	DIGI. TRANSISTOR
Q1612	DTC323TK-X	DIGI. TRANSISTOR
Q1613	2SA1037AK/QR/-X	SI. TRANSISTOR
Q1614	2SC2412K/QR/-X	SI. TRANSISTOR
Q1706	2SA1037AK/QR/-X	SI. TRANSISTOR
Q1707	2SC2412K/QR/-X	SI. TRANSISTOR
Q1708	2SA1037AK/QR/-X	SI. TRANSISTOR
Q1709-10	2SC2412K/QR/-X	SI. TRANSISTOR
Q1711	2SA1037AK/QR/-X	SI. TRANSISTOR
Q1712	2SC2412K/QR/-X	SI. TRANSISTOR
Q1871	2SA1037AK/QR/-X	SI. TRANSISTOR
Q1872	2SC2412K/QR/-X	SI. TRANSISTOR
Q1903-04	2SC2412K/QR/-X	SI. TRANSISTOR

**IC**

IC1201	TA1226N	I C	
IC1251	CXA2039M-X	I C	
IC1301	TB1227CN	I. C. (DIGI-OTHER)	
IC1501	AN5441SA-W	I. C. (MONO-ANA)	
IC1502	AN78L05-T	I. C. (MONO-ANA)	
IC1551	LA6515	I. C. (MONO-ANA)	
IC1601	AN5277	I. C. (MONO-ANA)	
IC1605	BA4558F-X	I. C. (MONO-ANA)	
IC1606	AN7395S-W	I C	
IC1607	TDA7315D	I. C. (DIGI-OTHER)	
IC1701	M37280MF-173SP	I. C. (MICRO-COMP)	
IC1702	AT24C16-29RSB	I. C.	(SERVICE)
IC1703	L78LR05E-MA	I. C. (MONO-ANA)	
IC1871	ET417	I. C. (M)	
IC1872	ET211	I. C. (M)	

**OTHERS**

△ CP1601	ICP-N50-Y	I. C. PROTECT
DL1341	CE40986-A01	DELAY LINE
K1001-02	CE41433-001Z	BEADS CORE
K1005	CE41433-001Z	BEADS CORE
LC1301	CE42142-222Z	EMI FILTER
TU1001	QAU0197-002	TUNER
X1301	QAX0305-001Z	CRYSTAL
X1701	CST8.00MTW	CER. RESONATOR
X1871	CE41257-001Z	CRYSTAL

△ Symbol No. Part No. Part Name Description

**RESISTOR**

R2401	QRA14CF-1202Y	MF R	12kΩ	1/4W	F
R2402	QRA14CF-1502Y	MF R	15kΩ	1/4W	F
R2404	QRE141J-821Y	C R	820Ω	1/4W	J
R2405	QRA14CF-8200Y	MF R	820Ω	1/4W	F
R2406	QRE141J-392Y	C R	3.9kΩ	1/4W	J
R2408	QRE141J-222Y	C R	2.2kΩ	1/4W	J
R2409	QRE141J-103Y	C R	10kΩ	1/4W	J
R2410	QRE141J-102Y	C R	1kΩ	1/4W	J
R2414	QRE121J-1R5Y	C R	1.5Ω	1/2W	J
R2415	QRT01EJ-1R0X	MF R	1.0Ω	1W	J
R2416	QRL01EJ-221X	OM R	220Ω	1W	J
R2417	QRE121J-1R0Y	C R	1.0Ω	1/2W	J
R2418	QRE141J-154Y	C R	150kΩ	1/4W	J
R2451	QRE121J-184Y	C R	180kΩ	1/2W	J
R2452	QRE121J-823Y	C R	82kΩ	1/2W	J
R2453	QRE121J-473Y	C R	47kΩ	1/2W	J
R2454	QRE121J-153Y	C R	15kΩ	1/2W	J
R2461	QRE141J-331Y	C R	330Ω	1/4W	J
R2463-64	QRE121J-392Y	C R	3.9kΩ	1/2W	J
R2465	QRE121J-472Y	C R	4.7kΩ	1/2W	J
R2466	QRE121J-821Y	C R	820Ω	1/2W	J
R2467	QRL03EJ-270X	OM R	27Ω	3W	J
R2468	QRE141J-823Y	C R	82kΩ	1/4W	J
R2469	QRE141J-822Y	C R	8.2kΩ	1/4W	J
R2470	QRE141J-0R0Y	C R	0.0Ω	1/4W	J
R2492	QRE141J-683Y	C R	68kΩ	1/4W	J
R2493	QRE141J-224Y	C R	220kΩ	1/4W	J
△ R2494	QRZ9017-4R7	F R	4.7Ω	1/4W	J
R2495	QRE141J-103Y	C R	10kΩ	1/4W	J
R2496	QRE141J-183Y	C R	18kΩ	1/4W	J
R2497	QRE141J-153Y	C R	15kΩ	1/4W	J
R2502	QRE141J-222Y	C R	2.2kΩ	1/4W	J
R2503	QRE121J-152Y	C R	1.5kΩ	1/2W	J
R2504-05	QRL03EJ-182X	OM R	1.8kΩ	3W	J
R2521	QRE121J-220Y	C R	22Ω	1/2W	J
R2522	QRL03EJ-103X	OM R	10kΩ	3W	J
R2523	QRE121J-471Y	C R	470Ω	1/2W	J
△ R2524	QRZ9017-4R7	F R	4.7Ω	1/4W	J
R2525	QRE141J-222Y	C R	2.2kΩ	1/4W	J
R2542	QRE121J-222Y	C R	2.2kΩ	1/2W	J
R2544	QRE121J-104Y	C R	100kΩ	1/2W	J
R2545	QRE141J-123Y	C R	12kΩ	1/4W	J
△ R2551	QRZ9021-2R2	F R	2.2Ω	1W	J
△ R2552	QRZ9021-2R2	F R	2.2Ω	1W	J
R2553	QRF104K-3R9	UNF R	3.9Ω	10W	K
△ R2554	QRZ9022-R47	FUSI. RESISTOR	0.47 Ω	1W	K
△ R2555	QRZ9011-4R7	F R	4.7Ω	1/2W	J
R2591	QRE121J-682Y	C R	6.8kΩ	1/2W	J
R2592	QRA14CF-1001Y	MF R	1kΩ	1/4W	F
R2593	QRE141J-183Y	C R	18kΩ	1/4W	J
R2594	QRE141J-222Y	C R	2.2kΩ	1/4W	J
R2597	QRE141J-273Y	C R	27kΩ	1/4W	J
△ R2901	QRZ0123-121	UNF R	120 Ω	7W	J
△ R2903	QRZ0186-1R8	UNF R	1.8Ω	15W	J
R2904-05	QRE121J-274Y	C R	270kΩ	1/2W	J
R2906	QRE141J-333Y	C R	33kΩ	1/4W	J
R2908	QRE121J-684Y	C R	680kΩ	1/2W	J
R2909	QRG039J-683	OM R	68kΩ	3W	J
R2910	QRE121J-681Y	C R	680Ω	1/2W	J
R2911	QRM059J-R15	MP R	0.15Ω	5W	J
△ R2913	QRT029J-4R7	MF R	4.7Ω	2W	J
R2914	QRE121J-152Y	C R	1.5kΩ	1/2W	J
R2915	QRE141J-152Y	C R	1.5kΩ	1/4W	J
R2916	QRE141J-103Y	C R	10kΩ	1/4W	J
R2917	QRL02EJ-220X	OM R	22Ω	2W	J
R2918	QRE121J-332Y	C R	3.3kΩ	1/2W	J
R2921	QRG01GJ-470	OM R	47Ω	1W	J
R2935	QRE141J-473Y	C R	47kΩ	1/4W	J
R2936	QRE141J-103Y	C R	10kΩ	1/4W	J
R2952	QRE141J-182Y	C R	1.8kΩ	1/4W	J
R2953	QRE141J-222Y	C R	2.2kΩ	1/4W	J
R2954	QRE141J-562Y	C R	5.6kΩ	1/4W	J

△ Symbol No.	Part No.	Part Name	Description
<b>RESISTOR</b>			
R2955	QRE141J-822Y	C R	8.2kΩ 1/4W J
R2956	QRE141J-562Y	C R	5.6kΩ 1/4W J
R2957	QRE141J-332Y	C R	3.3kΩ 1/4W J
R2958	QRE141J-103Y	C R	10kΩ 1/4W J
R2959	QRE141J-683Y	C R	68kΩ 1/4W J
R2960	QRE141J-562Y	C R	5.6kΩ 1/4W J
R2961	QRE141J-683Y	C R	68kΩ 1/4W J
R2962	QRE141J-394Y	C R	390kΩ 1/4W J
R2963	QRE141J-562Y	C R	5.6kΩ 1/4W J
R2964	QRE121J-102Y	C R	1kΩ 1/2W J
R2965	QRE141J-222Y	C R	2.2kΩ 1/4W J
R2966	QRE141J-683Y	C R	68kΩ 1/4W J
R2967	QRL03EJ-223X	OM R	22kΩ 3W J
R2968	QRE141J-391Y	C R	390Ω 1/4W J
R2969	QRE141J-182Y	C R	1.8kΩ 1/4W J
R2970	QRL01EJ-181X	OM R	180Ω 1W J
R2971	QRE141J-471Y	C R	470Ω 1/4W J
R2972	QRE141J-391Y	C R	390Ω 1/4W J
R2973	QRE141J-182Y	C R	1.8kΩ 1/4W J
R2974	QRE141J-683Y	C R	68kΩ 1/4W J
R2976	QRT029J-3R9	MF R	3.9Ω 2W J
R2977	QRT02EJ-1R8X	MF R	1.8Ω 2W J
R2980	QRT01EJ-2R7X	MF R	2.7Ω 1W J
R2981	QRL03EJ-150X	OM R	15kΩ 3W J
R2982	QRE141J-682Y	C R	6.8kΩ 1/4W J
R2983	QRE141J-561Y	C R	560Ω 1/4W J
△ R2991	QRZ0057-825	C R	8.2MΩ 1W J

<b>CAPACITOR</b>			
C2401	QEHR1VM-227Z	E CAP.	220μF 35V M
C2402	QETM1VM-108	E CAP.	1000μF 35V M
C2403	QFLC2AJ-683Z	M CAP.	0.068μF 100V J
C2404	QETN1HM-105Z	E CAP.	1μF 50V M
C2405	QFLC1HJ-472Z	M CAP.	4700pF 50V J
C2406	QCZ0337-180Z	C CAP.	18pF 2kV J
C2407	QFLC1HJ-102Z	M CAP.	1000pF 50V J
C2408	QETN1HM-106Z	E CAP.	10μF 50V M
C2410	QFV71HJ-334Z	MF CAP.	0.33μF 50V J
C2411	QFLC2AJ-563Z	M CAP.	0.056μF 100V J
C2412	QFV71HJ-334Z	MF CAP.	0.33μF 50V J
C2451	QFV71HJ-104Z	MF CAP.	0.1μF 50V J
C2461	QEZ0195-475Z	E CAP.	4.7μF 50V K
C2462	QETN1HM-106Z	E CAP.	10μF 50V M
C2463	QFLC1HJ-153Z	M CAP.	0.015μF 50V J
C2464	QFLC1HJ-333Z	M CAP.	0.033μF 50V J
C2465	QCZ0120-104Z	C CAP.	0.1μF 25V Z
C2466	QETN1HM-106Z	E CAP.	10μF 50V M
C2491	QETN1HM-105Z	E CAP.	1μF 50V M
C2492	QETN1HM-106Z	E CAP.	10μF 50V M
C2502	QCB32HK-681Z	C CAP.	680pF 500V K
C2503	QEHR2CM-105Z	E CAP.	1μF 160V M
△ C2521	QFZ0200-402	MPP CAP.	4000pF1.5kVH ±3%
△ C2522	QFZ0200-113	MPP CAP.	0.011μF1.5kVH ±3%
△ C2523	QFP32GJ-223	PP CAP.	0.022μF 400V J
△ C2524	QFZ0199-104	MPP CAP.	0.1μF 250V J
△ C2526	QFZ0199-104	MPP CAP.	0.1μF 250V J
△ C2527	QEHR2EM-475Z	E CAP.	4.7μF 250V M
△ C2529	QFZ0128-393	MPP CAP.	0.039μF 400V ±3%
C2530	QCB32HK-561Z	C CAP.	560pF 500V K
C2531	QFLC1HJ-103Z	M CAP.	0.01μF 50V J
△ C2542	QFZ0199-124	MPP CAP.	0.12μF 250V J
C2551	QETN2EM-106Z	E CAP.	10μF 250V M
C2553	QEHQ1EM-108	E CAP.	1000μF 25V M
C2555	QEHQ1EM-108	E CAP.	1000μF 25V M

△ Symbol No.	Part No.	Part Name	Description
<b>CAPACITOR</b>			
C2560	QETM2CM-227	E CAP.	220μF 160V M
C2591	QETN1AM-107Z	E CAP.	100μF 10V M
C2592	QETN1EM-476Z	E CAP.	47μF 25V M
C2594	QETN1AM-227Z	E CAP.	220μF 10V M
△ C2902	QCZ9015-102Z	C CAP.	1000pFAC250V Z
△ C2903	QCZ9015-102Z	C CAP.	1000pFAC250V Z
△ C2905	QCZ9015-102Z	C CAP.	1000pFAC250V Z
△ C2906	QCZ9015-102Z	C CAP.	1000pFAC250V Z
△ C2907	QEZ0371-337	E CAP.	330μF 400V M
C2908	QCB32HK-103	C CAP.	0.01μF 500V K
C2911	QCZ0325-821	C CAP.	820pF 2000V K
C2912	QCS31HJ-471Z	C CAP.	470pF 50V J
C2913	QETN1HM-476Z	E CAP.	47μF 50V M
C2916	QETN1HM-107Z	E CAP.	100μF 50V M
C2917	QFV71HJ-104Z	MF CAP.	0.1μF 50V J
C2918	QCB31HK-152Z	C CAP.	1500pF 50V K
C2919	QFLC1HJ-223Z	M CAP.	0.022μF 50V J
△ C2920	QFZ9040-104	MF CAP.	0.1μFAC275V M
△ C2921	QFZ9040-473	MF CAP.	0.047μFAC275V M
C2922	QCB32HK-103	C CAP.	0.01μF 500V K
C2951	QCZ0115-561Z	C CAP.	560pF 2kV K
C2952	QEZ0203-227	E CAP.	220μF 160V M
C2953	QCB32HK-391Z	C CAP.	390pF 500V K
C2954	QEHR1EM-108Z	E CAP.	1000μF 25V M
C2955	QCB32HK-181Z	C CAP.	180pF 500V K
C2956	QEHQ1CM-228	E CAP.	2200μF 16V M
C2959	QETM1VM-228	E CAP.	2200μF 35V M
C2962	QFV71HJ-104Z	MF CAP.	0.1μF 50V J
C2964	QFV71HJ-684Z	MF CAP.	0.68μF 50V J
C2965	QFLC1HJ-103Z	M CAP.	0.01μF 50V J
C2966	QFLC1HJ-473Z	M CAP.	0.047μF 50V J
C2967	QFV71HJ-104Z	MF CAP.	0.1μF 50V J
C2968	QETN1HM-475Z	E CAP.	4.7μF 50V M
C2969	QEHR1CM-477Z	E CAP.	470μF 16V M
C2970	QEHR1CM-107Z	E CAP.	100μF 16V M
C2971	QCZ0120-104Z	C CAP.	0.1μF 25V Z
C2972	QEHR1CM-227Z	E CAP.	220μF 16V M
C2973	QETN1EM-476Z	E CAP.	47μF 25V M
C2974	QETN1HM-475Z	E CAP.	4.7μF 50V M
C2975	QEHR1AM-227Z	E CAP.	220μF 10V M
C2976	QETN1EM-476Z	E CAP.	47μF 25V M
C2982	QCZ0115-471Z	C CAP.	470pF 2kV K
△ C2991	QCZ9079-102	C CAP.	1000pFAC250V M
△ C2992	QCZ9079-471	C CAP.	470pFAC250V K
△ C2993	QCZ9079-471	C CAP.	470pFAC250V K

<b>TRANSFORMER</b>			
△ T2501	CE42034-002	H. DRIVE TRANSF.	
△ T2551	QQH0075-001	H. V. TRANSF.	
△ T2901	QQS0075-001	SWITCH. TRANSF.	

<b>COIL</b>			
L2461	QQR1138-001	CHOKE COIL	
L2521	QQLZ028-501	CHOKE COIL	
L2522	QQR1137-002	LINEARITY COIL	
L2901-02	QQL402K-100	COIL	10μH
L2951	QQLZ026-460	HEATER CHOKE	
L2952-54	QQL26AM-5R6Z	CHOKE COIL	

Symbol No.	Part No.	Part Name	Description
<b>DIODE</b>			
D2401	MTZJ75-T2	ZENER DIODE	
D2402	1N4003-T2	SI. DIODE	
D2451	RGP10J-5025-T3	SI. DIODE	
D2491	RGP10J-5025-T3	SI. DIODE	
D2492	MTZJ22B-T2	ZENER DIODE	
D2493-95	1SS133-T2	SI. DIODE	
D2521	RH3G-F1	SI. DIODE	
D2522	RU30-F1	SI. DIODE	
D2523	RGP10J-5025-T3	SI. DIODE	
D2525	MTZJ9.1B-T2	ZENER DIODE	
D2551	RH1S-LFA1	SI. DIODE	
D2553-54	RU3AM-LFC4	SI. DIODE	
D2592	MTZJ7.5B-T2	ZENER DIODE	
D2594	MTZJ7.5S-T2	ZENER DIODE	
△ D2901	D3S860	BRIDGE DIODE	
D2902	SARS01-T2	DIODE	
D2903	MTZJ6.8C-T2	ZENER DIODE	
D2904-05	RGP10J-5025-T3	SI. DIODE	
D2906	MTZJ8.2B-T2	ZENER DIODE	
D2907	MTZJ20B-T2	ZENER DIODE	
D2908-09	1SS133-T2	SI. DIODE	
D2911	MTZJ15B-T2	ZENER DIODE	
D2912	1SS133-T2	SI. DIODE	
D2913	MTZJ27B-T2	ZENER DIODE	
D2914	1SS133-T2	SI. DIODE	
D2951	RU4B-F1	SI. DIODE	
D2952	1SS133-T2	SI. DIODE	
D2953-55	RU30Y-F1	SI. DIODE	
D2958	1SR35-400A-T2	SI. DIODE	
D2959	MTZJ9.1B-T2	ZENER DIODE	
D2960	MTZJ7.5S-T2	ZENER DIODE	
D2961-62	AG01Z-T2	SI. DIODE	
D2964	MTZJ33B-T2	ZENER DIODE	
D2965-68	1SS133-T2	SI. DIODE	
D2969	R4KL-F1	SI. DIODE	
D2970	AG01-T2	SI. DIODE	
D2972	1SS133-T2	SI. DIODE	
D2981-83	1SS133-T2	SI. DIODE	

**TRANSISTOR**

Q2401	DTC124ESA-T	DIGI. TRANSISTOR	
Q2402	2SC1740S/QR/-T	SI. TRANSISTOR	
Q2451	DTC124ESA-T	DIGI. TRANSISTOR	
Q2461	2SD1408/OY/-LB	SI. TRANSISTOR	
Q2462-63	2SA933AS/QR/-T	SI. TRANSISTOR	
Q2464	2SC1740S/QR/-T	SI. TRANSISTOR	
Q2501	BSN304-T	F. E. T.	
△ Q2521	2SC5517-RL	SI. TRANSISTOR	H. OUT
Q2542	DTC124ESA-T	DIGI. TRANSISTOR	
Q2544	2SK2459N-F54	F. E. T.	
Q2591	2SA1208/ST/Z1-T	SI. TRANSISTOR	
Q2592	DTC124ESA-T	DIGI. TRANSISTOR	
Q2593	2SC1740S/QR/-T	SI. TRANSISTOR	
Q2901	2SC1740S/QR/-T	SI. TRANSISTOR	
Q2932	2SC1740S/QR/-T	SI. TRANSISTOR	
Q2951-58	2SC1740S/QR/-T	SI. TRANSISTOR	

**I C**

△ IC2401	LA7841	I. C. (MONO-ANA)	
IC2901	STR-F6456S/F7	I C	
IC2951	SE135N	I. C. (HYBRID)	
IC2952	PQ12RD21	I. C. (HYBRID)	
IC2953	BA09T	I. C. (MONO-ANA)	
IC2954	PQ05RD21	I C	

Symbol No.	Part No.	Part Name	Description
<b>OTHERS</b>			
△ CP2952	ICP-N38-Y	I. C. PROTECT	
K2401	CE41433-001Z	BEADS CORE	
K2902	QQR0679-001	FERRITE BEADS	
K2951	QQR0872-001Y	FERRITE BEADS	
△ LF2901	QQR1035-002	LINE FILTER	
△ PC2541	PC123F2	I. C. (PH. COUPLER)	
△ PC2901	PC123F2	I. C. (PH. COUPLER)	
△ RY2951	QSK0099-001	RELAY	
△ TH2901	QAD0119-9R0	P. THERMISTOR	

**CRT SOCKET PW BOARD ASS'Y (SJK-3002A-H2)**

Symbol No.	Part No.	Part Name	Description
<b>RESISTOR</b>			
R3101-03	NRSA02J-101X	MG R	100Ω 1/10W J
R3107-09	NRSA02J-182X	MG R	1.8kΩ 1/10W J
R3110-12	NRSA02J-151X	MG R	150Ω 1/10W J
R3113-15	NRSA02J-470X	MG R	47Ω 1/10W J
R3116-21	QRL02EJ-153X	OM R	15kΩ 2W J
R3125-27	QRZ0107-102Z	C R	1kΩ 1/2W K
R3128	NRSA02J-122X	MG R	1.2kΩ 1/10W J
R3130	QRL01EJ-121X	OM R	120Ω 1W J
R3135	QRZ0107-474Z	C R	470kΩ 1/2W K
R3136	QRE121J-474Y	C R	470kΩ 1/2W J
R3137	QRZ0107-102Z	C R	1kΩ 1/2W K
R3138	QRE121J-105Y	C R	1MΩ 1/2W J
R3303	NRSA02J-0R0X	MG R	0.0Ω 1/10W J
R3312	NRSA02J-153X	MG R	15kΩ 1/10W J
R3313	NRSA02J-152X	MG R	1.5kΩ 1/10W J
R3314	NRSA02J-820X	MG R	82Ω 1/10W J
R3315	NRSA02J-221X	MG R	220Ω 1/10W J
R3316	NRSA02J-222X	MG R	2.2kΩ 1/10W J
R3317	NRSA02J-470X	MG R	47Ω 1/10W J
△ R3318	QRJ146J-100X	C R	10Ω 1/4W J
R3319	NRSA02J-470X	MG R	47Ω 1/10W J
R3320	NRSA02J-122X	MG R	1.2kΩ 1/10W J
R3321	NRSA02J-390X	MG R	39Ω 1/10W J
R3322	QRE121J-2R7Y	C R	2.7Ω 1/2W J
R3323-24	QRE121J-563Y	C R	56kΩ 1/2W J
R3325	NRSA02J-122X	MG R	1.2kΩ 1/10W J
R3326	QRE121J-2R7Y	C R	2.7Ω 1/2W J
R3327	NRSA02J-390X	MG R	39Ω 1/10W J
R3328	NRSA02J-121X	MG R	120Ω 1/10W J
R3329	QRL02EJ-391X	OM R	390Ω 2W J
R3332	NRSA02J-333X	MG R	33kΩ 1/10W J
R3333	NRSA02J-473X	MG R	47kΩ 1/10W J
R3334	NRSA02J-333X	MG R	33kΩ 1/10W J
R3335	NRSA02J-473X	MG R	47kΩ 1/10W J

Symbol No.	Part No.	Part Name	Description
------------	----------	-----------	-------------

**CAPACITOR**

C3101-03	NDC21HJ-471X	C CAP.	470pF 50V J
C3104	QETN1CM-107Z	E CAP.	100μF 16V M
C3105	QETN1EM-476Z	E CAP.	47μF 25V M
C3113	QCZ0131-222	C CAP.	2200pF 2000V K
C3114	QETM2EM-336	E CAP.	33μF 250V M
C3115	QETM2EM-106	E CAP.	10μF 250V M
C3116	NDC21HJ-471X	C CAP.	470pF 50V J
C3304	NCB21HK-103X	C CAP.	0.01μF 50V K
C3305	QETN1HM-335Z	E CAP.	3.3μF 50V M
C3306	QETN1CM-107Z	E CAP.	100μF 16V M
C3307	NDC21HJ-5R0X	C CAP.	5.0pF 50V J
C3308	QETN2CM-106Z	E CAP.	10μF 160V M
C3309	QCB32HK-472Z	C CAP.	4700pF 500V K
C3310	QETN2CM-106Z	E CAP.	10μF 160V M
C3311	NDC21HJ-561X	C CAP.	560pF 50V J
C3312	QCB32HK-472Z	C CAP.	4700pF 500V K
C3313	NDC21HJ-271X	C CAP.	270pF 50V J
C3314	QETN1CM-107Z	E CAP.	100μF 16V M
C3315	QCS32HJ-680Z	C CAP.	68pF 500V J
C3316	QETN1CM-107Z	E CAP.	100μF 16V M
C3317	QETN1AM-337Z	E CAP.	330μF 10V M
C3318	NDC21HJ-561X	C CAP.	560pF 50V J

**DIODE**

D3164	1SR35-400A-T2	SI. DIODE	
D3302-03	RH15-T3	SI. DIODE	
D3304-05	MA111-X	SI. DIODE	

**TRANSISTOR**

Q3101-03	2SC1740S/QR/-T	SI. TRANSISTOR	
Q3104-06	2SC4544-LB	SI. TRANSISTOR	
Q3304-05	2SC1740S/QR/-T	SI. TRANSISTOR	
Q3306	2SA933AS/QR/-T	SI. TRANSISTOR	
Q3307	2SA1837	SI. TRANSISTOR	
Q3308	2SC4793	SI. TRANSISTOR	
Q3311	2SA1037AK/QR/-X	SI. TRANSISTOR	
Q3312	2SC2412K/QR/-X	SI. TRANSISTOR	

**OTHERS**

△ FR3330	QRZ9021-561	F R	560Ω 1W J
△ K3301-04	CE41492-001Z	CHOKE COIL	
△ SK3001	CE42446-001	C. R. T. SOCKET	

**FRONT CONTROL PW BOARD ASS'Y  
(SJK-8003A-H2)**

Symbol No.	Part No.	Part Name	Description
------------	----------	-----------	-------------

**RESISTOR**

R8801-02	NRSA02J-561X	MG R	560Ω 1/10W J
R8805	NRSA02J-821X	MG R	820Ω 1/10W J
R8806	NRSA02J-102X	MG R	1kΩ 1/10W J
R8807	NRSA02J-822X	MG R	8.2kΩ 1/10W J
R8808	NRSA02J-682X	MG R	6.8kΩ 1/10W J
R8809	NRSA02J-103X	MG R	10kΩ 1/10W J
R8810	NRSA02J-822X	MG R	8.2kΩ 1/10W J
R8811	NRSA02J-682X	MG R	6.8kΩ 1/10W J
R8812	NRSA02J-103X	MG R	10kΩ 1/10W J
R8813-14	QRE121J-271Y	C R	270Ω 1/2W J
R8815-16	NRSA02J-102X	MG R	1kΩ 1/10W J
R8851	NRSA02J-682X	MG R	6.8kΩ 1/10W J
R8861	NRSA02J-562X	MG R	5.6kΩ 1/10W J
R8863	NRSA02J-472X	MG R	4.7kΩ 1/10W J
R8864	NRSA02J-222X	MG R	2.2kΩ 1/10W J
R8901	QRZ0111-474	C R	470kΩ 1/2W K

**CAPACITOR**

C8301-02	NCB21HK-472X	C CAP.	4700pF 50V K
C8303	NCB21EK-104X	C CAP.	0.1μF 25V K
C8801-02	NCB21HK-222X	C CAP.	2200pF 50V K
C8851	NCB21EK-104X	C CAP.	0.1μF 25V K
C8852	QETN1CM-107Z	E CAP.	100μF 16V M
C8861	QETN1HM-106Z	E CAP.	10μF 50V M
△ C8901	QFZ9040-104	MF CAP.	0.1μFAC275V M
△ C8902	QFZ9040-474	MF CAP.	0.47μFAC275V M
△ C8991	QCZ9079-102	C CAP.	1000pFAC250V M

**COIL**

L8301	QQL211K-270Y	PEAKING COIL	27μH
L8302	QQR0716-001Z	LEAD CORE	
L8303	QQL211K-270Y	PEAKING COIL	27μH
L8801-02	QQL211K-5R6Y	PEAKING COIL	5.6μH
L8803	QQR0716-001Z	LEAD CORE	

**DIODE**

D8801	SPR-39MWF	L. E. D.	
D8803	SLR-342DU-T16	L. E. D. (ORG)	
D8804	SLR-342MG-T16	L. E. D. (GRN)	
D8805	MA111-X	SI. DIODE	
D8851	MA3068/M/-X	ZENER DIODE	
D8861	MA111-X	SI. DIODE	
D8862	P1241-04	C. D. S.	

**TRANSISTOR**

Q8801-02	DTA124EKA-X	DIGI. TRANSISTOR	
Q8804	DTC124EKA-X	DIGI. TRANSISTOR	
Q8805	2SA1037AK/QR/-X	SI. TRANSISTOR	
Q8861	2SA1037AK/QR/-X	SI. TRANSISTOR	

**IC**

IC8851	GP1U281Q	IFR DETECT UNIT	
--------	----------	-----------------	--

Symbol No.	Part No.	Part Name	Description
<b>OTHERS</b>			
	CM35921-005-H	CDS HOLDER	
	CM36626-B01-H	L.E.D.HOLDER	
	CEMG002-001Z	FUSE CLIP	
△ F8901	QMF51E2-4R0J4	FUSE	4A
J8302	QNN0279-003	PIN JACK	
J8303	QNN0279-002	PIN JACK	
J8304	QNN0279-001	PIN JACK	
J8801	QNS0155-001	JACK	
△ LF8901	QQR0673-004	LINE FILTER	
S8801	QSW0619-003Z	PUSH SWITCH	MENU
S8802	QSW0619-003Z	PUSH SWITCH	CH DOWN
S8803	QSW0619-003Z	PUSH SWITCH	CH UP
S8804	QSW0619-003Z	PUSH SWITCH	TV/VIDEO
S8805	QSW0619-003Z	PUSH SWITCH	VOL DOWN
S8806	QSW0619-003Z	PUSH SWITCH	VOL UP
△ S8901	QSW0824-001	PUSH SWITCH	MAIN POWER
△ VA8901	ERZV10V621CS	VARIATOR	

**AV SEL. PW BOARD ASS'Y (SJK0S005A-H2)**

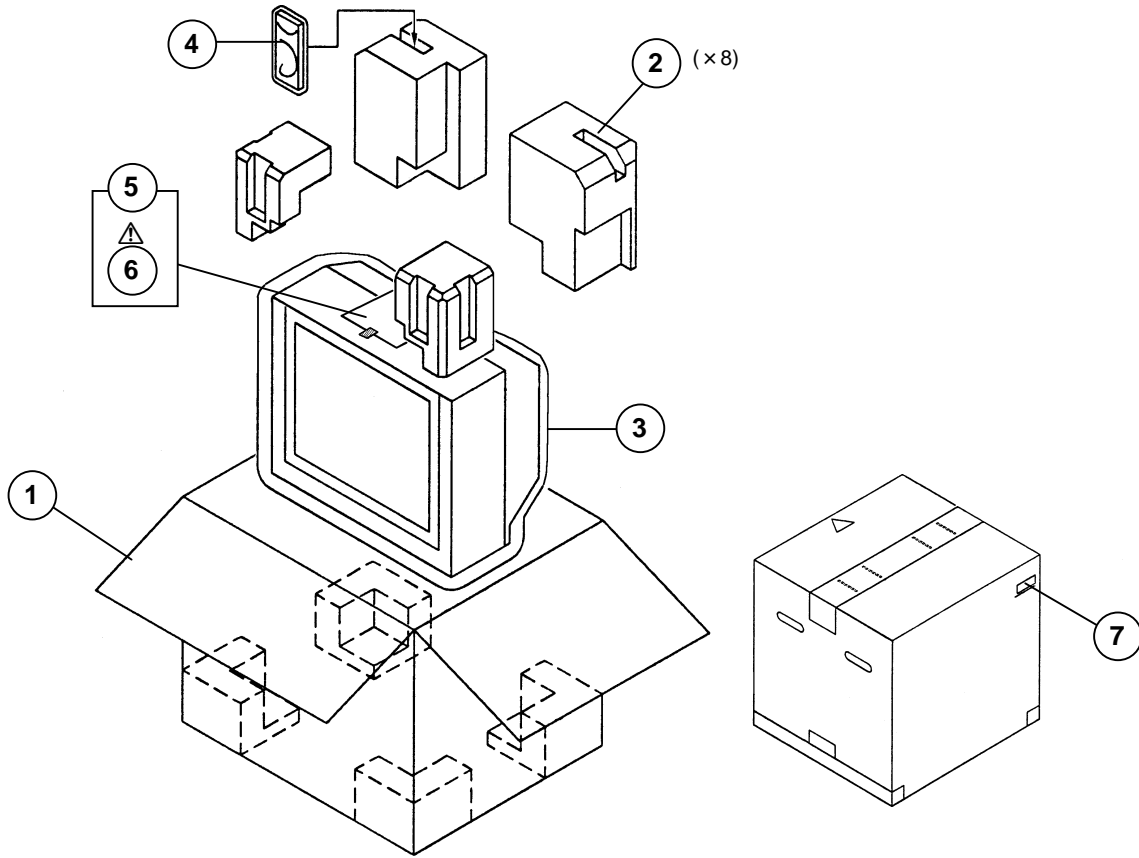
Symbol No.	Part No.	Part Name	Description
<b>RESISTOR</b>			
R0101-08	NRSA02J-750X	MG R	75Ω 1/10W J
R0110	NRSA02J-823X	MG R	82kΩ 1/10W J
R0112	NRSA02J-823X	MG R	82kΩ 1/10W J
R0113	NRSA02J-333X	MG R	33kΩ 1/10W J
R0114-15	NRSA02J-391X	MG R	390Ω 1/10W J
R0116	NRSA02J-104X	MG R	100kΩ 1/10W J
R0119-20	NRSA02J-222X	MG R	2.2kΩ 1/10W J
R0121-22	NRSA02J-333X	MG R	33kΩ 1/10W J
R0123	NRSA02J-222X	MG R	2.2kΩ 1/10W J
R0124	NRSA02J-333X	MG R	33kΩ 1/10W J
R0125	NRSA02J-222X	MG R	2.2kΩ 1/10W J
R0126	NRSA02J-333X	MG R	33kΩ 1/10W J
R0127	NRSA02J-750X	MG R	75Ω 1/10W J
R0128	NRSA02J-222X	MG R	2.2kΩ 1/10W J
R0129	NRSA02J-333X	MG R	33kΩ 1/10W J
R0130	NRSA02J-222X	MG R	2.2kΩ 1/10W J
R0131	NRSA02J-333X	MG R	33kΩ 1/10W J
R0132-35	NRSA02J-101X	MG R	100Ω 1/10W J
R0137	NRSA02J-101X	MG R	100Ω 1/10W J
R0140-43	NRSA02J-101X	MG R	100Ω 1/10W J
R0146-51	NRSA02J-101X	MG R	100Ω 1/10W J
R0152	NRSA02J-222X	MG R	2.2kΩ 1/10W J
R0153	NRSA02J-333X	MG R	33kΩ 1/10W J
R0154	NRSA02J-222X	MG R	2.2kΩ 1/10W J
R0155	NRSA02J-333X	MG R	33kΩ 1/10W J
R0156	NRSA02J-101X	MG R	100Ω 1/10W J
R0157-58	NRSA02J-562X	MG R	5.6kΩ 1/10W J
R0159-60	NRSA02J-102X	MG R	1kΩ 1/10W J
R0162	NRSA02J-103X	MG R	10kΩ 1/10W J
R0164-65	NRSA02J-221X	MG R	220Ω 1/10W J
R0166	NRSA02J-101X	MG R	100Ω 1/10W J
R0167	QRK126J-121X	C R	120Ω 1/2W J
R0170	NRSA02J-102X	MG R	1kΩ 1/10W J
R0301	NRSA02J-102X	MG R	1kΩ 1/10W J
R0306	NRSA02J-151X	MG R	150Ω 1/10W J
R0307	NRSA02J-272X	MG R	2.7kΩ 1/10W J
R0311-12	NRSA02J-102X	MG R	1kΩ 1/10W J
R0326	NRSA02J-102X	MG R	1kΩ 1/10W J
R0327	NRSA02J-681X	MG R	680Ω 1/10W J
R0328	NRSA02J-472X	MG R	4.7kΩ 1/10W J

Symbol No.	Part No.	Part Name	Description
<b>RESISTOR</b>			
R0329	NRSA02J-391X	MG R	390Ω 1/10W J
R0330	NRSA02J-122X	MG R	1.2kΩ 1/10W J
R0331	NRSA02J-103X	MG R	10kΩ 1/10W J
R0332	NRSA02J-472X	MG R	4.7kΩ 1/10W J
R0333	NRSA02J-152X	MG R	1.5kΩ 1/10W J
R0334-35	NRSA02J-0R0X	MG R	0.0Ω 1/10W J
R0336	NRSA02J-152X	MG R	1.5kΩ 1/10W J
R0337	NRSA02J-103X	MG R	10kΩ 1/10W J
R0338	NRSA02J-153X	MG R	15kΩ 1/10W J
R0339-40	NRSA02J-103X	MG R	10kΩ 1/10W J
R0341	NRSA02J-821X	MG R	820Ω 1/10W J
R0342-44	NRSA02J-102X	MG R	1kΩ 1/10W J
R0345	NRSA02J-222X	MG R	2.2kΩ 1/10W J
R0346	NRSA02J-272X	MG R	2.7kΩ 1/10W J
R0347	NRSA02J-392X	MG R	3.9kΩ 1/10W J
R0348	NRSA02J-472X	MG R	4.7kΩ 1/10W J
R0349	NRSA02J-102X	MG R	1kΩ 1/10W J
R0350	NRSA02J-272X	MG R	2.7kΩ 1/10W J
R0351	NRSA02J-681X	MG R	680Ω 1/10W J
R0352	NRSA02J-102X	MG R	1kΩ 1/10W J
R0353	NRSA02J-681X	MG R	680Ω 1/10W J
R0354	NRSA02J-102X	MG R	1kΩ 1/10W J
R0355	NRSA02J-103X	MG R	10kΩ 1/10W J
R0356	NRSA02J-221X	MG R	220Ω 1/10W J
R0357	NRSA02J-562X	MG R	5.6kΩ 1/10W J
R0358	NRSA02J-102X	MG R	1kΩ 1/10W J
R0359	NRSA02J-103X	MG R	10kΩ 1/10W J
R0360	NRSA02J-561X	MG R	560Ω 1/10W J
R0361	NRSA02J-391X	MG R	390Ω 1/10W J
R0362	NRSA02J-472X	MG R	4.7kΩ 1/10W J
R0363	NRSA02J-681X	MG R	680Ω 1/10W J
R0364	NRSA02J-102X	MG R	1kΩ 1/10W J
R0365	NRSA02J-103X	MG R	10kΩ 1/10W J
R0366-68	NRSA02J-391X	MG R	390Ω 1/10W J
R0369	NRSA02J-472X	MG R	4.7kΩ 1/10W J
R0370-71	NRSA02J-821X	MG R	820Ω 1/10W J
R0601	NRSA02J-225X	MG R	2.2MΩ 1/10W J
R0602	NRSA02J-223X	MG R	22kΩ 1/10W J
R0603	NRSA02J-102X	MG R	1kΩ 1/10W J
R0605	NRSA02J-333X	MG R	33kΩ 1/10W J
R0606	QRG01GJ-181	OM R	180Ω 1W J
R0607	NRSA02J-123X	MG R	12kΩ 1/10W J
R0608	NRSA02J-181X	MG R	180Ω 1/10W J
R0609	NRSA02J-123X	MG R	12kΩ 1/10W J
R0610	NRSA02J-561X	MG R	560Ω 1/10W J
R0611	NRSA02J-0R0X	MG R	0.0Ω 1/10W J
R0614	NRSA02J-103X	MG R	10kΩ 1/10W J
R0615	NRSA02J-223X	MG R	22kΩ 1/10W J
R0617	NRSA02J-103X	MG R	10kΩ 1/10W J
R0619-20	NRSA02J-103X	MG R	10kΩ 1/10W J
R0622	NRSA02J-103X	MG R	10kΩ 1/10W J
R0623	NRSA02J-223X	MG R	22kΩ 1/10W J
R0625	NRSA02J-0R0X	MG R	0.0Ω 1/10W J
R0628	NRSA02J-0R0X	MG R	0.0Ω 1/10W J
R0629-30	NRSA02J-101X	MG R	100Ω 1/10W J
R0653	NRSA02J-223X	MG R	22kΩ 1/10W J
R0654	NRSA02J-822X	MG R	8.2kΩ 1/10W J
R0655	NRSA02J-223X	MG R	22kΩ 1/10W J
R0656	NRSA02J-822X	MG R	8.2kΩ 1/10W J
<b>CAPACITOR</b>			
C0101-02	NCB21HK-472X	C CAP.	4700pF 50V K
C0103-06	NCB21HK-152X	C CAP.	1500pF 50V K
C0107	QETN1AM-108Z	E CAP.	1000uF 10V M
C0108-09	QETN1HM-106Z	E CAP.	10uF 50V M
C0110-11	NCB21HK-103X	C CAP.	0.1uF 50V K
C0112-14	QETN1HM-105Z	E CAP.	1uF 50V M
C0115-16	QETN1HM-106Z	E CAP.	10uF 50V M
C0117-18	QETN1HM-105Z	E CAP.	1uF 50V M

△ Symbol No.	Part No.	Part Name	Description
<b>CAPACITOR</b>			
C0119	QETN1HM-106Z	E CAP.	10μF 50V M
C0120	QETN1HM-105Z	E CAP.	1μF 50V M
C0121	NCB21HK-103X	C CAP.	0.01μF 50V K
C0122	QETN1HM-106Z	E CAP.	10μF 50V M
C0123	QETN1HM-105Z	E CAP.	1μF 50V M
C0124	QETN1HM-106Z	E CAP.	10μF 50V M
C0125	QETN1HM-105Z	E CAP.	1μF 50V M
C0126	NCB21HK-103X	C CAP.	0.01μF 50V K
C0128	QETN1HM-106Z	E CAP.	10μF 50V M
C0129-30	QENC1EM-106Z	BP E CAP.	10μF 25V M
C0132	NDC21HJ-560X	C CAP.	56pF 50V J
C0133	QENC1EM-106Z	BP E CAP.	10μF 25V M
C0134	QETN1CM-107Z	E CAP.	100μF 16V M
C0135	NCB21HK-103X	C CAP.	0.01μF 50V K
C0136-37	NCF21CZ-105X	C CAP.	1μF 16V Z
C0138	QETN1CM-107Z	E CAP.	100μF 16V M
C0139-40	NCB21HK-152X	C CAP.	1500pF 50V K
C0301	NCB21HK-103X	C CAP.	0.01μF 50V K
C0302-03	QENC1EM-106Z	BP E CAP.	10μF 25V M
C0304	QETN1HM-106Z	E CAP.	10μF 50V M
C0305	QENC1EM-106Z	BP E CAP.	10μF 25V M
C0309	QETN1HM-106Z	E CAP.	10μF 50V M
C0314	QETN1CM-107Z	E CAP.	100μF 16V M
C0322	QETN1CM-107Z	E CAP.	100μF 16V M
C0324	NCB21HK-563X	CHIP CAP.	0.056μF 50V K
C0325-26	QETN1EM-476Z	E CAP.	47μF 25V M
C0329	QETN1CM-107Z	E CAP.	100μF 16V M
C0332-36	NCB21HK-103X	C CAP.	0.01μF 50V K
C0337	QETN1EM-476Z	E CAP.	47μF 25V M
C0338-40	NCB21HK-103X	C CAP.	0.01μF 50V K
C0341	NDC21HJ-181X	C CAP.	180pF 50V J
C0342-43	NCB21HK-103X	C CAP.	0.01μF 50V K
C0344	NDC21HJ-121X	C CAP.	120pF 50V J
C0345	NCB21HK-103X	C CAP.	0.01μF 50V K
C0346	QETN1EM-476Z	E CAP.	47μF 25V M
C0348	NCB21HK-103X	C CAP.	0.01μF 50V K
C0349	QETN1CM-107Z	E CAP.	100μF 16V M
C0350	NCB21HK-103X	C CAP.	0.01μF 50V K
C0352	NDC21HJ-560X	C CAP.	56pF 50V J
C0353	NCB21HK-103X	C CAP.	0.01μF 50V K
C0354	NDC21HJ-221X	C CAP.	220pF 50V J
C0355	NCB21HK-103X	C CAP.	0.01μF 50V K
C0356	QETN1EM-476Z	E CAP.	47μF 25V M
C0357	QETN1AM-227Z	E CAP.	220μF 10V M
C0358	QETN1EM-476Z	E CAP.	47μF 25V M
C0359	NDC21HJ-221X	C CAP.	220pF 50V J
C0360	NDC21HJ-121X	C CAP.	120pF 50V J
C0362	QETN1AM-477Z	E CAP.	470μF 10V M
C0363	NCB21HK-103X	C CAP.	0.01μF 50V K
C0364-65	QETN1EM-476Z	E CAP.	47μF 25V M
C0601	QENC1HM-475Z	BP E CAP.	4.7μF 50V M
C0602	QETN1HM-475Z	E CAP.	4.7μF 50V M
C0604	QETN1CM-107Z	E CAP.	100μF 16V M
C0605	QETN1HM-106Z	E CAP.	10μF 50V M
C0607	QETN1HM-106Z	E CAP.	10μF 50V M
C0608	QENC1HM-475Z	BP E CAP.	4.7μF 50V M
C0609	NCB21HK-103X	C CAP.	0.01μF 50V K
C0610	NDC21HJ-821X	C CAP.	820pF 50V J
C0611-12	NDC21HJ-470X	C CAP.	47pF 50V J
C0613	QETN1HM-106Z	E CAP.	10μF 50V M
C0614	NDC21HJ-180X	C CAP.	18pF 50V J
C0616	QETN1CM-107Z	E CAP.	100μF 16V M
C0617	NCB21EK-104X	C CAP.	0.1μF 25V K
C0618	QETN1HM-106Z	E CAP.	10μF 50V M
C0619	NCB21EK-104X	C CAP.	0.1μF 25V K
C0620	QETN1HM-106Z	E CAP.	10μF 50V M
C0623	NCB21EK-104X	C CAP.	0.1μF 25V K
C0624	QETN1HM-106Z	E CAP.	10μF 50V M
C0625	NCB21HK-332X	C CAP.	3300pF 50V K
C0626	NCB21HK-333X	C CAP.	0.033μF 50V K
C0628	QETN1HM-106Z	E CAP.	10μF 50V M
C0629	QETN1HM-106Z	E CAP.	10μF 50V M

△ Symbol No.	Part No.	Part Name	Description
<b>CAPACITOR</b>			
C0630-31	NCB21HK-102X	C CAP.	1000pF 50V K
C0632	NCB21EK-104X	C CAP.	0.1μF 25V K
C0633	QETN1HM-106Z	E CAP.	10μF 50V M
C0634-35	NCB21HK-103X	C CAP.	0.01μF 50V K
C0636	NDC21HJ-2R0X	C CAP.	2.0pF 50V J
C0637	NCB21HK-332X	C CAP.	3300pF 50V K
C0638	NCB21HK-333X	C CAP.	0.033μF 50V K
C0639	QETN1HM-106Z	E CAP.	10μF 50V M
C0640	QETN1EM-476Z	E CAP.	47μF 25V M
C0641	NCB21EK-104X	C CAP.	0.1μF 25V K
C0642	NDC21HJ-2R0X	C CAP.	2.0pF 50V J
C0645	NCB21HK-103X	C CAP.	0.01μF 50V K
C0646	NCB21EK-104X	C CAP.	0.1μF 25V K
C0647	QETN1CM-107Z	E CAP.	100μF 16V M
C0648	NCB21EK-104X	C CAP.	0.1μF 25V K
C0693	NCB21EK-104X	C CAP.	0.1μF 25V K
<b>TRANSFORMER</b>			
T0301-03	CE42697-001	LOWPASS FILTER	
<b>COIL</b>			
L0101-04	QQL211K-5R6Y	PEAKING COIL	5.6μH
L0107-10	QQL211K-5R6Y	PEAKING COIL	5.6μH
L0111	QQL244K-680Z	PEAKING COIL	68μH
L0302	QQL244K-220Z	PEAKING COIL	22μH
L0304-05	QQL244K-220Z	PEAKING COIL	22μH
L0306	QQL244K-330Z	PEAKING COIL	33μH
L0601	QQL244K-220Z	PEAKING COIL	22μH
L0602	QQL244K-180Z	PEAKING COIL	18μH
L0605	QQL244K-4R7Z	PEAKING COIL	4.7μH
<b>DIODE</b>			
D0101-03	MA3120/M/-X	ZENER DIODE	
D0106	MA3120/M/-X	ZENER DIODE	
D0108-09	MA3091/M/-X	ZENER DIODE	
D0601	RD8.2E/B2/-T2	ZENER DIODE	
<b>TRANSISTOR</b>			
Q0101-02	DTC323TK-X	DIGI. TRANSISTOR	
Q0103	2SA1037AK/QR/-X	SI. TRANSISTOR	
Q0106	2SC2412K/QR/-X	SI. TRANSISTOR	
Q0108	2SC1740S/QR/-T	SI. TRANSISTOR	
Q0303	2SC2412K/QR/-X	SI. TRANSISTOR	
Q0309-15	2SC2412K/QR/-X	SI. TRANSISTOR	
Q0316-17	2SA1037AK/QR/-X	SI. TRANSISTOR	
Q0318-21	2SC2412K/QR/-X	SI. TRANSISTOR	
Q0601	2SC2412K/QR/-X	SI. TRANSISTOR	
<b>IC</b>			
IC0101	CXA2089Q	I C	
IC0301	TC9090AN	I. C. (DIGI-MOS)	
IC0304	LA7222	I. C. (MONO-ANA)	
IC0601	AN5285K	I. C. (MONO-ANA)	
IC0602	NJM2150AM-X	I. C. (MONO-ANA)	
IC0603	MSP3415D-QG-XX	I. C. (MONO-ANA)	
<b>OTHERS</b>			
J0001	CM36337-A01-H	SHIELD COVER	
J0002	QNZ0454-001	PIN JACK	
J0003	QNN0349-001	PIN JACK	
J0004	QNN0349-002	PIN JACK	
J0005	QNN0348-001	PIN JACK	
J0006	QNN0349-001	PIN JACK	
J0007	QNS0001-001	JACK	
LC0601	CE42482-103Y	EMI FILTER	
X0601	CE42546-001Z	CRYSTAL	

# PACKING



## PACKING PARTS LIST

△ Ref.No.	Part No.	Part Name	Description
1	LC10453-078A-H	PACKING CASE	8pcs in 1set
2	LC10479-002C-H	CUSHION ASSY	
3	CP30967-004-H	POLY BAG	
4	RM-C112-2H	REMOCON UNIT	
5	CP30966-001-H	POLY BAG	
△ 6	LCT0664-001A-H	INST. BOOK	
7	CM47385-00B-H	POS/SERIAL LABEL	



# JVC

VICTOR COMPANY OF JAPAN, LIMITED

HOME AV NETWORK BUSINESS UNIT 1106 Heta, Iwai-city, Ibaraki-prefecture, 306-0698, Japan

AV25PS-H #4



VP 0007  
DP3054